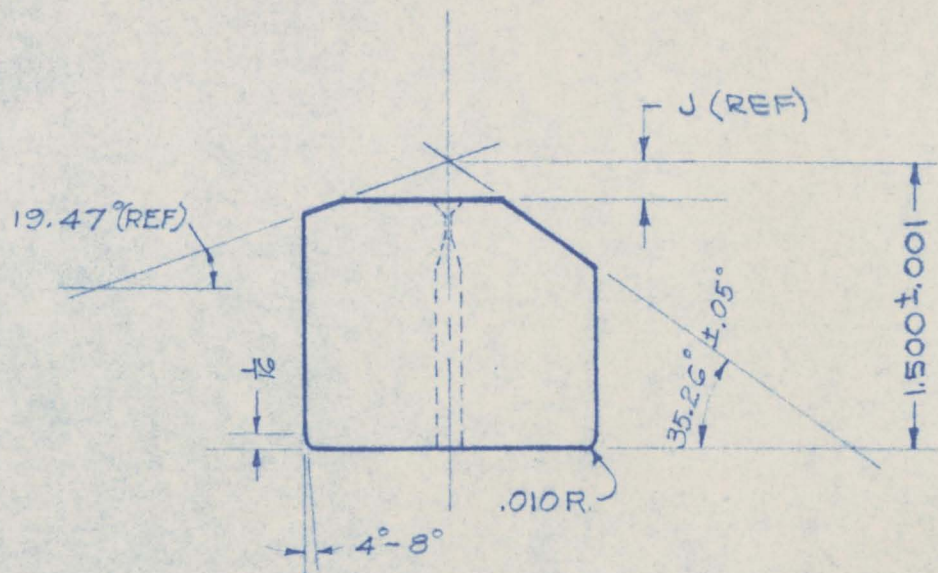


THESE TWO SURFACES  
NEED NOT BE GROUND

STANDARD ANVIL

L	J	H	TETRAHEDRON SIZE
.5000	.1021	1.3979	5/16
.7500	.1531	1.3469	1/4
1.0000	.2041	1.2959	3/8



STANDARD ANVIL  
SCALE: FULL SIZE

HOLE DETAILS  
SCALE: 3 TIMES SIZE

NOTES

- ONE SET OF ANVILS OF ANY SIZE CONSISTS OF 3 WITHOUT HOLE AND ONE WITH.
- MATL. - CEMENTED TUNGSTEN CARBIDE 6%-8% C<sub>6</sub> BINDER

NEXT ASSY D-321



McCARTNEY MFG. CO.  
BAXTER SPRINGS KANSAS

TETRAHEDRAL ANVILS

UNLESS OTHERWISE SPECIFIED

TOLERANCE: FRACTIONS  $\pm \frac{1}{64}$ , DECIMALS  $\pm .005$   
BREAK SHARP CORNERS AND EDGES ALL OVER.  
SURFACE FINISH  $\frac{63}{63}$  ALL OVER.

REV. $\Delta$	REF. No. $\Delta$
REV. $\Delta$	REF. No. $\Delta$
REV. $\Delta$	REF. No. $\Delta$

SCALE NOTED	DATE 8-5-63
MATL NOTED	HEAT TREAT DWG. KV
CATALOG No.	PART No. APPRD.
	DWG. No. B-1317